

THREE-WAY SCREEN CHANNEL SYSTEM

S-8500



TECHNICAL DATA

Frequency Range (-10 dB)	35 Hz - 16 kHz	
Frequency Response (± 3 dB)	45 Hz - 12,5 kHz	
Coverage Angles (-6 dB)	Horizontal 90° (from 300 Hz to 16 kHz) Vertical 45° (from 300 Hz to 16 kHz)	
Directivity Factor(Q)	4	
Directivity Index (DI)	6	
Maximun Output Level	140 dB SPL (a 1m)	
Crossover Frequency	LF/MF 300 Hz	MF/HF 2,5 kHz not included
Bass Unit	Impedance	4 Ω (each unit)
	Power	2400 W AES
	Sensitivity	103 dB (1W / 1m)
Mid Unit	Impedance	8 Ω
	Power	100 W AES
	Sensitivity	114 dB (1W / 1m)
High Unit	Impedance	16 Ω
	Power	75 W AES
	Sensitivity	112 dB (1W / 1m)
Dimensions (H x W x D)	228 x 140 x 80,5 cm	
Net Weight	199 kg	

COMPONENTS

Cabinet	2 x C-318-T
Low Frequency Driver	4 x S-1855 (18" \emptyset)
Mid Frequency Driver	S-901
Mid Frequency Horn	SC-501
High Frequency Driver	ND-801
High Frequency Horn	S-301
Adjustable Mount	SP-8

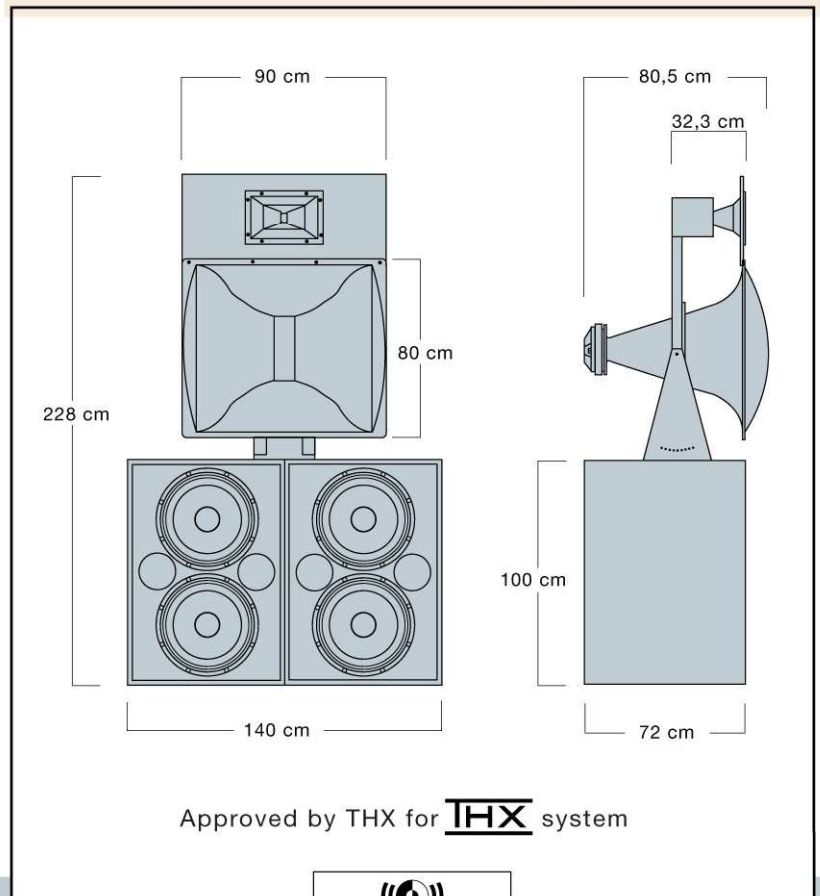
Three-amplified K.C.S. **S-8500** speaker system is especially designed for high quality and spectacular cinema installations with large capacity theaters.

This S-8500 system features twin low frequency cabinets with two 18" \emptyset speakers in each cabinet and especially designed for an optimum reproduction of the low frequencies.

The mid-frequency section has a compression driver with 4" \emptyset titanium membrane, 3" \emptyset mouth, and constant directivity horn.

The high-frequency section has a compression driver with neodymium magnetic structure, 4" \emptyset titanium membrane, 2" \emptyset mouth, and constant directivity horn.

The main improvements obtained with this new system include high SPL acoustic performance at 10 metre distance on axis, transient response, no nodes in the 300 Hz to 500 Hz frequency range and increased power handling for the instant sound response found in the new soundtracks at 5 kHz to 10 kHz frequencies.



Approved by THX for **THX** system

SUMINISTROS  **KELONIK, S.A.**

Badajoz, 159 bis 08018 Barcelona (SPAIN) Tel. 34-93 300 43 61
Fax 34-93 300 03 15 E-mail: sk@kelonik.com

